

Wildcat

Multi-Role All Terrain Armored Wheeled Vehicle



WILDCAT FOV






Wildcat

Multi-Role All Terrain Armored Wheeled Vehicle

The Wildcat is a versatile all-terrain armored vehicle that offers three levels of ballistic protection against armor-piercing bullets. The multi-role vehicle is designed for command and control, combat service support, and reconnaissance and surveillance missions.

High level of protection for enhanced survivability

The Wildcat vehicle features modular and inter-changeable armor protection suits for ballistic protection:

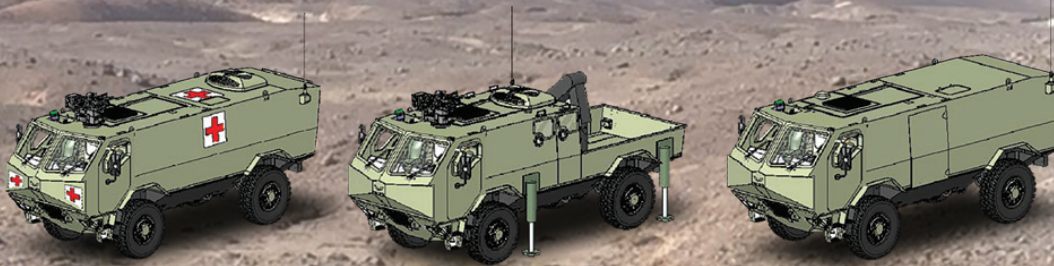
Kit A	Effective against 7.62mm AP (STANAG 4569 Level 3)	
Kit B	Add-on armor protects against IEDs and 14.5mm AP (STANAG 4569 Level 4)	
Kit C	Add-on armor protects against 14.55mm AP, RPG and AT mines	

The V-shape underbelly protects against blast (STANAG 4569 2a, 3b).

Additional protection systems include NBC filtration system, automatic fire detection and suppression system, mine mitigation blast seats, smoke grenade launchers, and heating system.

Firing power: The Wildcat features armored windows with integrated eight firing ports, and an optional Remote Controlled Weapon Station (RCWS) on the roof.

Modular Design



Ambulance

Recovery

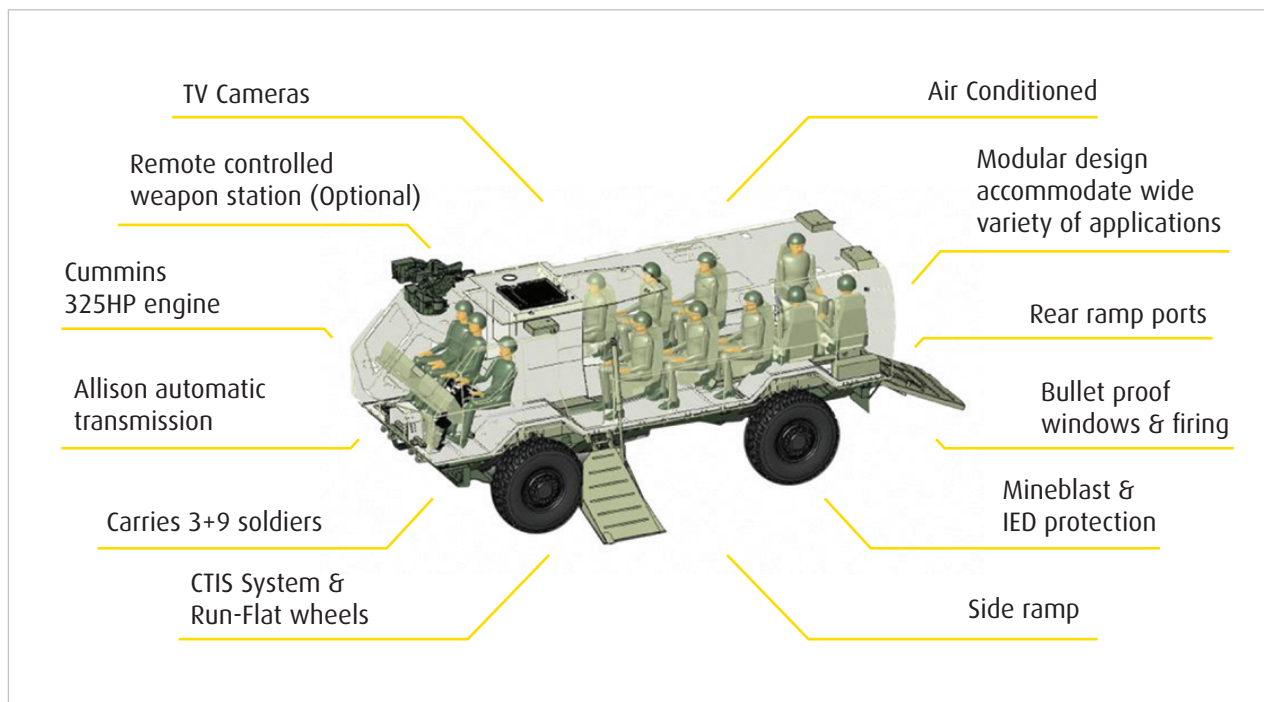
Logistics



Superior mobility and modular design

Design and systems: The Wildcat offers a reliable and robust design for excellent cross country and on-road maneuverability, based on a rigid 4x4 backbone tube chassis suspension system, and with an integrated hull. The vehicle provides improved crew comfort and ride quality. Access points include wide rear ramp and side ramps for easy mount and dismount, and wide internal space. The Wildcat is equipped with an air conditioning system, communication equipment, firing gas disposal blowers, and external cameras for day and night vision.

Adaptable and versatile: The rugged and durable vehicle provides high payload capability and carries a crew of three, plus accommodation for an additional nine fighters. The Wildcat is adaptable for a variety of applications, including special systems, logistics and recovery, police and border patrol, reconnaissance, and ambulance. The vehicle is transportable by the C-130 Hercules.



Wildcat

Multi-Role All Terrain Armored Wheeled Vehicle

Key Features

Technical specifications

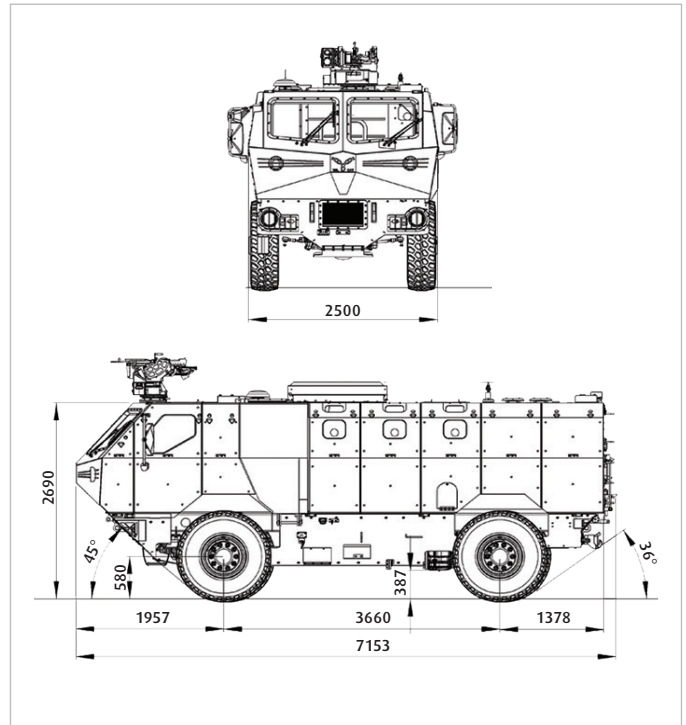
- Width: 2,500mm (width with Kit C: 2,790mm)
- Length: 7,153mm
- Height: 2,690mm
- Ground Clearance: 387mm (Adjustable)
- GVW -18,500 kg
- Curb Weight 11,400 kg
- Run flat wheels
- Central Tire Inflation System (CTIS)
- Fuel: Diesel (commercial), JP8
- Axles: Hubreduation, swing half-axles, axle differential lock, air springs & heavy duty shock absorbers

Performance

- Gradeability: 60%
- Side slope: 30%
- Turning circle diameter: 17.5m (wall-to-wall)
- Fording capability: 1,500mm
- Crossing ability trench width: 900mm
- Climbing ability vertical step: 406mm
- Max speed: 108km/hr
- Fuel tank: 250 liters
- Cruising range, on road: 700km
- Electrical system: 24V

Key Benefits

- Transportable: C-130 (Protection Kit A + Kit B)
- Superior performance: Mobility, maneuverability, and ride quality
- High survivability: Three levels of protection
- Versatile: Adaptable for a wide range of applications
- High off-road payload
- Rear and side ramps for easy mount/dismount



Additional Systems

Weapon Station



Firing Gas Disposal Blowers



NBC Filtration System



Mine Blast Mitigation Seats



Automatic Fire Detection & Suppression System



Elbit Systems Land

E-mail: land@elbitsystems.com www.elbitsystems.com

Follow us on   