

Nano SPEAR™

Expendable Active RF Decoy



Countering Evolving Threats

Nano SPEAR™ is a highly advanced, expendable RF decoy designed as a countermeasure to RF-guided air-to-air and surface-to-air missiles and other threats faced in modern battlespaces. This ultra-smart decoy deceptively lures away hostile radar guided missiles, providing a powerful layer of aircraft protection. The system complements the aircraft's existing EW system and operates in coordination with it – or operates as a standalone in the absence of an EW System – ensuring mission success and a safe return of platform and aircrew.

Elbit Systems™

ISTAR & EW - Elisra

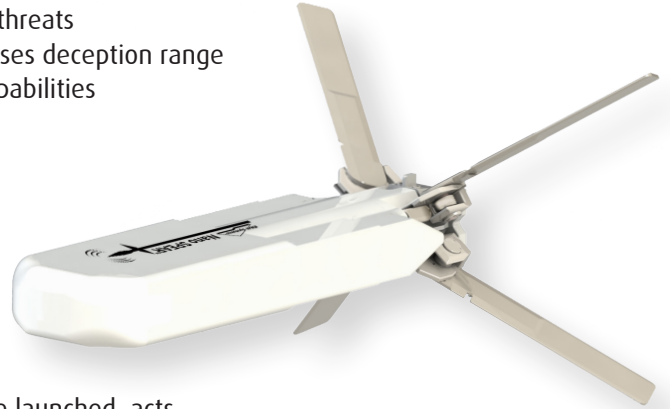
Nano SPEAR™

Expendable Active RF Decoy

Technological Superiority

Nano SPEAR is designed with an array of today's leading technologies and techniques:

- DRFM | Advanced digital receiver and transmitter capabilities
- Wide Frequency Range | Provides a response to diverse threats
- High ERP | High transmission power increases deception range
- Programmable | Delivers a variety of mission capabilities



Unique Advantages

Nano SPEAR uses the aircraft's existing dispensing system, but once launched, acts independently. Simple to operate with either manual or automatic dispense modes, Nano SPEAR is Form Fit (FF) to standard MJU7/FG-6 2x1x8 expendables and can be easily integrated with common countermeasure dispensing systems (CMDS) such as AN/ALE-40/47 and M-130.

The system requires no change to the aircraft and has a multi-year shelf-life.

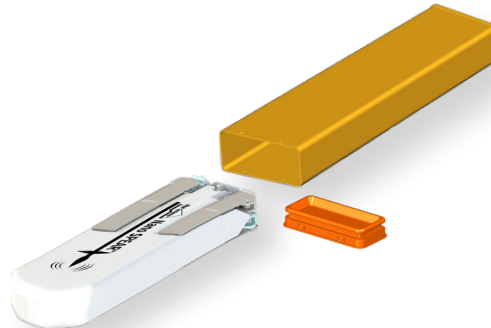
Features

- Expendable Active RF Decoy
- Enhances self-protection of combat aircraft against radar-guided missiles
- Advanced hardware handles modern radars
- Digital receiver, DRFM, sophisticated EW techniques
- Launched by standard CMDS of legacy platforms
- Minimal integration and support costs



Dimensions

Width		2" (50mm)
Height		1" (25mm)
Length		8" (206mm)
Weight		< 800 gr



ELBIT SYSTEMS ISTAR & EW - Elisra
ew-elisra.info@elbitsystems.com
www.elbitsystems.com